

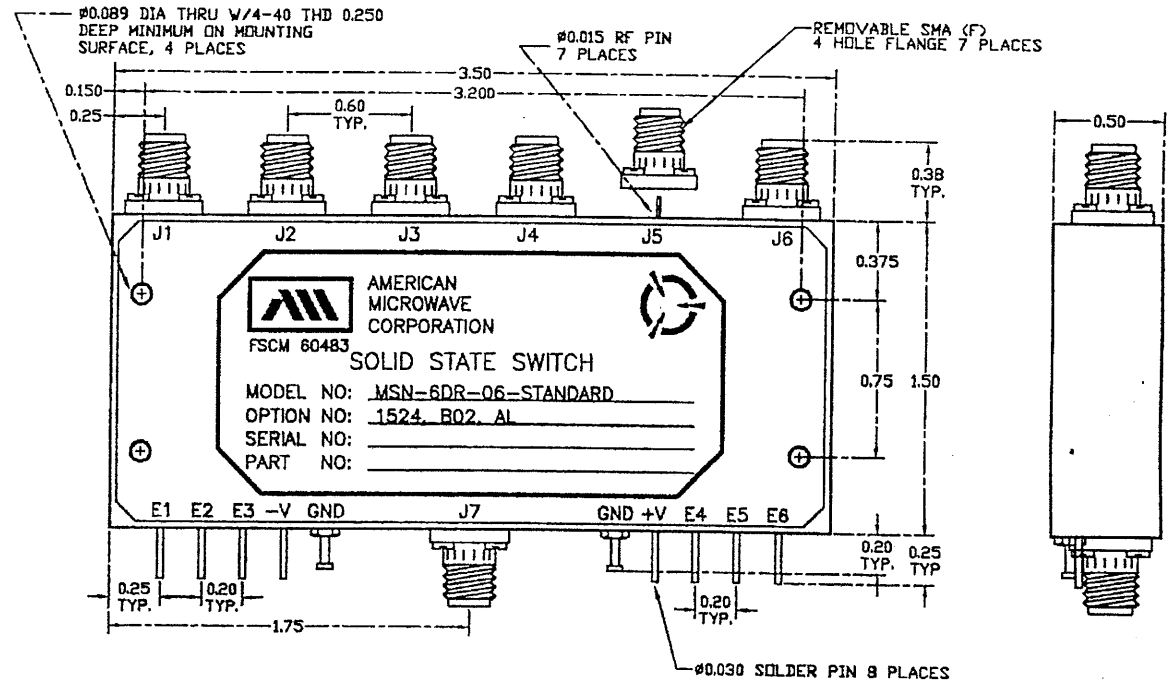
DESCRIPT

AMC MODEL MSN-6DR-06-STANDARD OPTIONS 1524, 802, AL IS A SINGLE POLE SIX THROW, REFLECTIVE SWITCH MODULE WITH HIGH ISOLATION, LOW LOSS, HIGH SPEED, AND WITH INTEGRAL TTL DRIVER, DESIGNED FOR 15 GHz TO 24 GHz OPERATIONS.

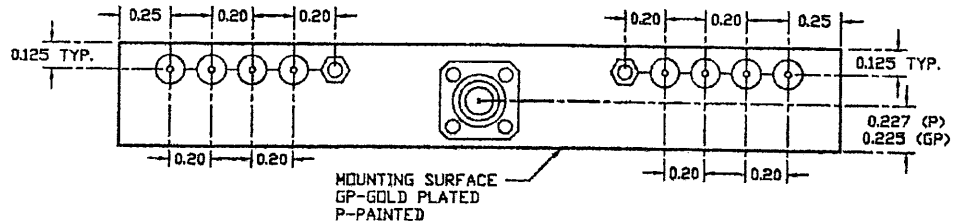
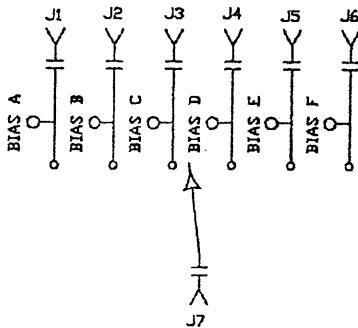
ZONE		REV.	REVISIONS	DESCRIPTION	DATE	APPROVED
			ORIGINAL	JOB# 006126-6	11/04/00	

SPECIFICATIONS:

- FREQUENCY: 15 GHz TO 24 GHz
- INSERTION LOSS: REFLECTIVE: 4.5db
- ISOLATION: 15 GHz TO 24 GHz: 50db
- VSWR: REFLECTIVE IN/OUT: 2.0:1
- SPEED: RISE: 10ns TYPICAL, 15ns MAX.
FALL: 10ns TYPICAL, 15ns MAX.
DELAY ON: 75ns TYPICAL, 100ns MAX.
DELAY OFF: 75ns TYPICAL, 100ns MAX.
- POWER INPUT: (CW)+20dBm (STANDARD), +10 dBm (HIGH SPEED)
- SURVIVAL POWER: 1 WATT CW, 10 WATTS PEAK 1 usec,
- CONTROL: TTL LOGIC "0"=ON "1"=OFF
- POWER SUPPLY: +5V @ 300 mA MAX.
-15V @ 75mA MAX.(RELECTIVE)
- SIZE: 3.5" (L) X 1.5" (W) X 0.5" (H)
- WEIGHT: 4.5 OZ TYPICAL



BLOCK DIAGRAM



ENVIRONMENTAL RATINGS:

- TEMPERATURE: -55°C TO +85°C (OPERATING)
-65°C TO +125°C (STORAGE)
- HUMIDITY: MIL-STD-202F, METHOD 103B COND. B
- SHOCK: MIL-STD-202F, METHOD 213B COND. B
- VIBRATION: MIL-STD-202F, METHOD 204D COND. B
- ALTITUDE: MIL-STD-202F, METHOD 105C COND. B
- TEMPERATURE CYCLE: MIL-STD-202F, METHOD 107D COND. A

NOTE: THE ABOVE SPECIFICATIONS ARE SUBJECT TO CHANGE OR REVISION

ALL DIMENSIONS ARE IN INCHES
TOLERANCES:
X.XX ±0.020
X.XXX ±0.010

CONFIDENTIAL AND PROPRIETARY

PART NO.		AMERICAN MICROWAVE CORPORATION FREDERICK, MARYLAND	
APPROVALS	DATE	TITLE	
DRAWN WSP & RRA	11/04/00	PRODUCT FEATURE MSN-6DR-06-STANDARD OPTIONS 1524, B02, AL SOLID STATE SWITCH	
CHECKED	11/6/00	SIZE	FSCM NO.
ISSUED	11/6/00	A	60483
		DWG NO.	100-5798
		SCALE	N/S
		SHEET	1 of 3